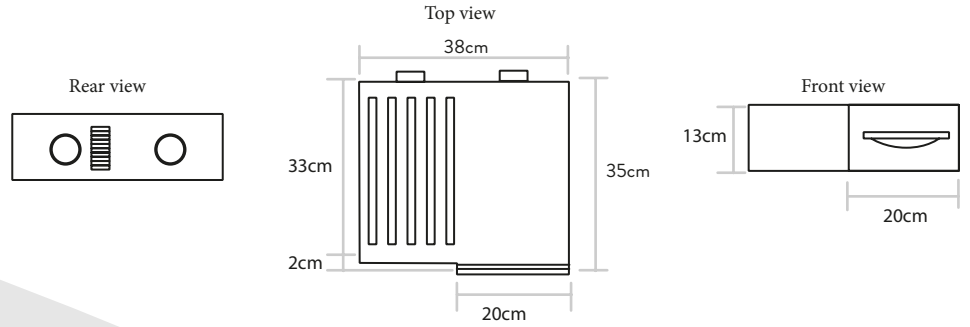


# INTEGRA *vac*



|                                  |      |
|----------------------------------|------|
| POWER                            | 1400 |
| AIR FLOW (M <sup>3</sup> )       | 187  |
| WATER LIFT (MM/H <sub>2</sub> O) | 2850 |
| AIRWATTS                         | 532  |
| DUSTBAG CAPACITY (L)             | 4    |
| WEIGHT (KG)                      | 8    |
| NOISE LEVEL (DB)                 | ≤ 60 |
| HIGH-SPEED THRU-FLOW MOTOR       |      |

## TECHNICAL DETAILS

### RECOMMENDATIONS FOR INSTALLATIONS

|   |       |
|---|-------|
| MAXIMUM HOME SIZE IN M <sup>2</sup>                 | ≤ 250 |
| MAXIMUM DISTANCE FROM THE MOST DISTANT VALVE (L.M.) | 30    |
| MAXIMUM NUMBER OF INLET VALVES                      | 5     |

[WWW.INTEGRAVAC.COM](http://WWW.INTEGRAVAC.COM)